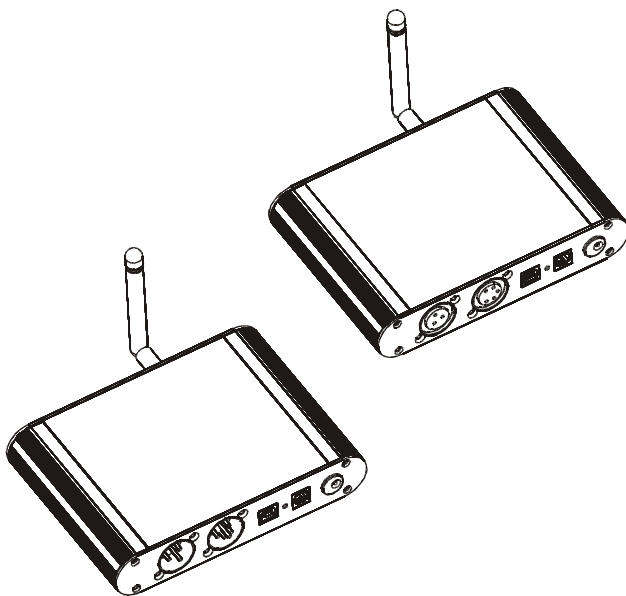


*PROFESSIONAL WIRELESS DMX CONTROLLER USER'S  
MANUAL*

# **EWDMXSYSTEM**



**KEEP THIS MANUAL FOR FUTURE NEEDS**



For your own safety, please read this user manual carefully before installing the device.

**CAUTION!**

Keep this device away from rain and moisture !

**CAUTION!**

Unplug mains lead before opening the housing.

Every person involved with the installation, operation and maintenance of this device has to:

- be qualified
- follow carefully the instructions of this manual

## SAFETY INSTRUCTIONS

This device has left our premises in absolutely perfect condition. In order to maintain this condition and to ensure a safe operation, it is absolutely necessary for the user to follow the safety instructions and warning notes written in this user manual.

**Important:**

Damages caused by the disregard of this user manual are not subject to warranty. The dealer will not accept liability for any resulting defects or problems.

Please make sure that there are no obvious transport damages. Should you notice any damages on the power unit or on the casing, do not take the device into operation and immediately consult your local dealer.

Always plug in the power unit last.

Keep away from heaters and other heating sources!

If the device has been exposed to drastic temperature fluctuation (e.g. after transportation), do not switch it on immediately. The arising condensation water might damage your device. Leave the device switched off until it has reached room temperature.

This device falls under protection-class III. The device always has to be operated with an appropriate transformer.

Always disconnect from the mains, when the device is not in use or before cleaning it.

Please note that damages caused by manual modifications on the device or unauthorized operation by unqualified persons are not subject to warranty.

Keep away children and amateurs from the device!

There are no serviceable parts inside the device. Maintenance and service operations are only to be carried out by authorized dealers.

## **OPERATING DETERMINATIONS**

This device is a wireless DMX receiver for transmitting DMX-data without cables. This product is allowed to be operated with a direct voltage of DC 6-12 V, 1 A and was designed for indoor use only.

Do not shake the device. Avoid brute force when installing or operating the device.

When choosing the installation-spot, please make sure that the device is not exposed to extreme heat, moisture or dust. There should not be any cables lying around. You endanger your own and the safety of others!

This device must never be operated or stockpiled in surroundings where splash water, rain, moisture or fog may harm the device. Moisture or very high humidity can reduce the insulation and lead to mortal electrical shocks. When using smoke machines, make sure that the device is never exposed to the direct smoke jet and is installed in a distance of 0.5 meters between smoke machine and device. The room must only be saturated with an amount of smoke that the visibility will always be more than 10 meters.

The ambient temperature must always be between  $-5^{\circ}\text{C}$  and  $+45^{\circ}\text{C}$ . Keep away from direct insulation (particularly in cars) and heaters.

The relative humidity must not exceed 50 % with an ambient temperature of  $45^{\circ}\text{C}$ .

This device must only be operated in an altitude between -20 and 2000 m over NN.

Never use the device during thunderstorms. Over voltage could destroy the device. Always disconnect the device during thunderstorms.

Operate the device only after having familiarized with its functions. Do not permit operation by persons not qualified for operating the device. Most

damages are the result of unprofessional operation!

Please use the original packaging if the device is to be transported.

Please consider that unauthorized modifications on the device are forbidden due to safety reasons!]

Never remove the serial barcode from the device as this would make the guarantee void.

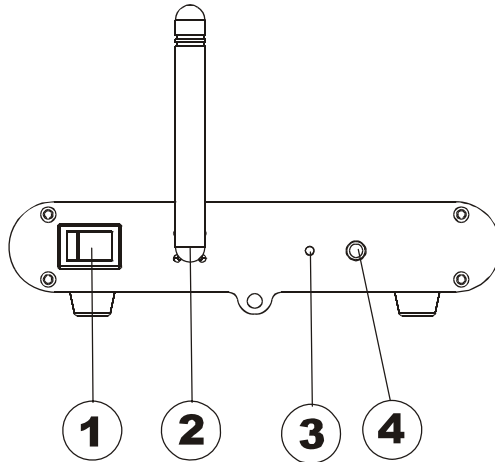
If this device will be operated in any way different to the one described in this manual, the product may suffer damages and the guarantee becomes void. Furthermore, any other operation may lead to dangers like short-circuit, burns, electric shock, etc.

## **Features**

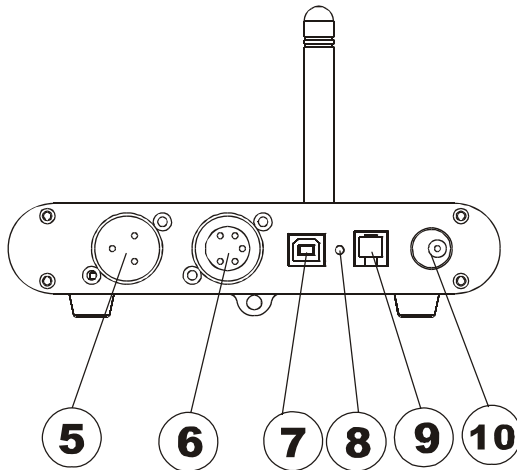
### **Sender for wireless data transmission**

- Wireless DMX is a technology to control many DMX-devices without any cables or to bridge a distance between sender and receiver
- W-DMX is interference-free from other wireless devices in the 2.45 GHz band such as W-LAN
- W-DMX uses adaptive FHSS (Frequency Hopping Spread Spectrum) and TDMA (Time Division Multiple Access)
- One WDS-1 supports a single DMX-512 universe with 512 DMX-channels
- Larger systems can easily be adapted to support up to 8,192 DMX channels (16 DMX-512 universes)
- Up to 8,192 receivers can be used in a W-DMX system

## **Overview:**



- (1) Power switch
- (2) Antennat
- (3) Status-LED
- (4) Function-button



- (5) DMX-Out socket (3 pin)
- (6) DMX-Out socket (5 pin)
- (7) USB-jack (The USB jack is not activated at this version, it is for future expansion only!)
- (8) Status-LED
- (9) RJ-45 jack (The RJ-45 jack is not activated at this version, it is for future expansion only!)
- (10) Power supply

## SETUP

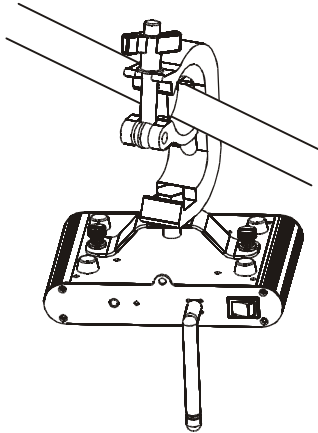
### Installation

Install the device on a plane surface.


Connect the connection cable of the power-unit with the DC IN-socket. Plug the power unit into your outlet.

With the POWER-switch, you can switch the device on and off.

### Clamp mounting drawing



### DMX-512 connection

	The wires must not come into contact with each other, otherwise the fixtures will not work at all, or will not work properly.
---	---

Only use a stereo shielded cable and 3-pin XLR-plugs and connectors in order to connect the controller with the wireless sender or one fixture with another.

### Occupation of the XLR-connection:

DMX-output  
XLR mounting-socket

DMX-input  
XLR mounting-socket



1:Ground  
2:Signal(-)  
3:Signal(+)



1:Ground  
2:Signal(-)  
3:Signal(+)

If you are using controllers with this occupation, you can connect the DMX-output of the controller directly with the DMX-input of the first fixture in the DMX-chain. If you wish to connect DMX-controllers with other XLR-outputs, you need to use adapter-cables.

### **Building a serial DMX-chain:**

Connect the DMX-output of the first fixture in the DMX-chain with the DMX-input of the next fixture. Always connect one output with the input of the next fixture until all fixtures are connected.

### **OPERATION**

#### 1. Equipments in a link

DMX 512 controller , wireless transmitter , wireless receiver , and lighting fixture

#### 2. Message from the LED indicator:

**Transmitter: ( the transmitter have two LED , they show the same message )**

1) Rapid flashing red/Green : every free receiver has not logged in to any transmitter, will be logged on

2) Slow flashing Red/Green: Only radio link control data is transmitted to the receivers from the transmitter, No DMX connected.

3) Solid Green: DMX signal detected and transmitted, the link is working

#### **Receiver:**

1) Rapid flashing red/Green : logging in to a transmitter

2) Slow flashing Red/Green: Logged on a transmitter and the DMX line is idle ( No DMX is connected to transmitter).

3) Solid Green: Logged on to a transmitter and receiving DMX data.

4) Solid Red: Not logged on to a transmitter ( free)

#### 3. Setup the wireless system:

1) Connect the transmitter with the DMX controller

2) To make the fixture installed with wireless receiver log in to the transmitter

a) Initially, the indicator on the receiver fixture should be in Solid red

b) Press and hold the configuration button on transmitter for less than 3 seconds the red/green LEDs on the transmitter and the receiver fixture will flash rapidly for about 5~ 10 seconds while the system goes through its setup procedure.

c) Once the receiver is logged in to the transmitter ( T1), the receiver will keep the memory, even if restart the power, this unit will log in the transmitter(T1) automatically.

3) Use the DMX 512 to control the fixture

4. Remove the receivers from transmitter (T1) and to log in to another transmitter ( T2)

Case 1: Remove a receiver:

- a) Press and hold the configuration button on receiver for 3~ 10 seconds;
- b) The LED on the receiver will turn to Solid red; the receiver can log out from the transmitter (T1);
- c) press the configuration button on transmitter(T2) for less than 3 second, then the fixture will start to connect with the transmitter(T2)

Case 2: Remove all receivers from a transmitter (T1) to log in to T2;

- a) Press and hold the configuration button on the T1 as least 5 seconds, can clear the connection with all the fixtures.
- b) All the red/green LEDs on the receiver fixtures will turn to Solid red to indicate that the receivers are unassigned and removed from the transmitter ( T1);
- c) Press and hold the configuration button on the T2 less then 3 second , the fixtures will connect with the T2

PS: 1. Please log the receivers out from the transmitter after every job, so that the receivers are in free un assigned state and ready to be assigned to a transmitter in next job.

## CLEANING AND MAINTENANCE



DANGER TO LIFE!

Disconnect from mains before starting maintenance operation!

We recommend a frequent cleaning of the device. Please use a soft lint-free and moistened cloth. Never use alcohol or solvents!

There are no servicable parts inside the device. Maintenance and service operations are only to be carried out by authorized dealers.

Should you need any spare parts, please use genuine parts.

Should you have further questions, please contact your dealer.

## TECHNICAL SPECIFICATIONS

**Power supply** : DC6~12V

**Power consumption** : max. 0.5W

**Packing dimensions** :21 x 10.5 x 29 cm

**Net weight** : 0.7 KGS;

**Gross weight**: 1.1 KGS;

**Remark:** errors and omissions for every information given in this manual excepted. All information is subject to change without prior notice.